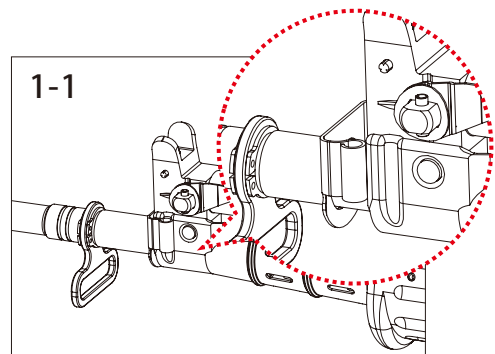
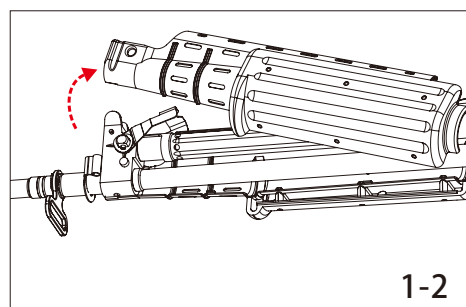


FNC Short Barrel Kit Install

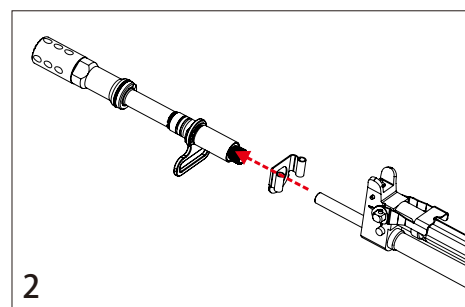
VF9-KIT-FNC-BK01 FNC 短版套件安裝說明書



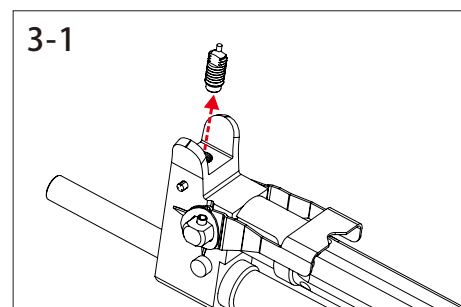
1. Snapping off the spring retainer clip to remove the handguards.
推開護木卡榫兩側，護木即可直接卸下。



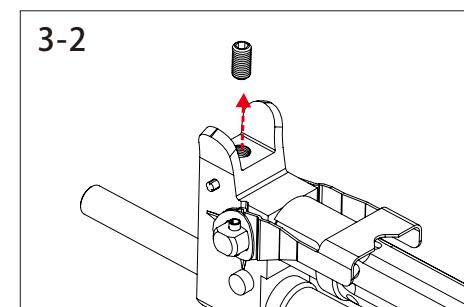
1-2



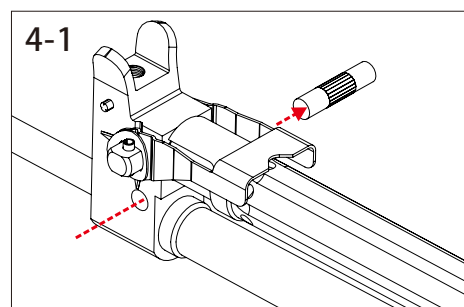
2. Remove the front barrel and the handguard spring, please notice the front barrel has been glued on.
拆下槍管前段以及護木卡榫，需注意槍管前段有上膠，建議請店家協助。



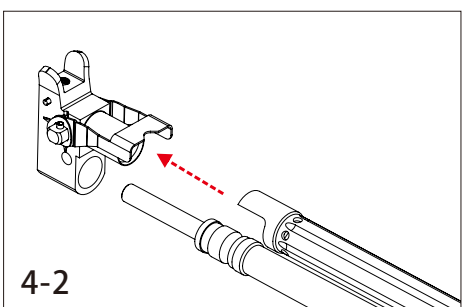
3. Remove the front sight, used the 2.5mm hex key to remove the gas block screw.
拆下準星，並使用2.5mm六角板手卸下準星座固定止付。



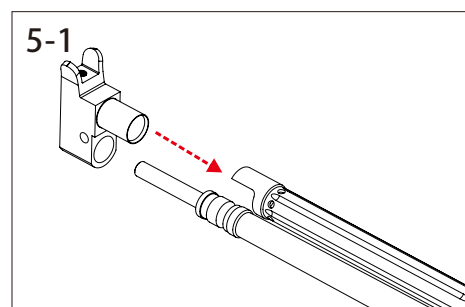
3-2



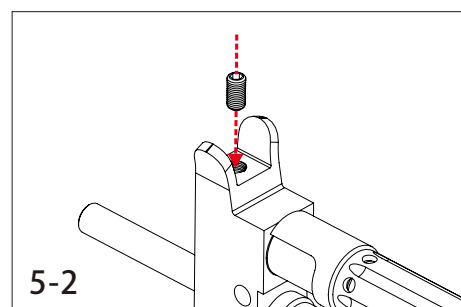
4. Remove the gas block pin to take down the gas block.
將準星座插梢敲出已卸下準星座，注意瓦斯導管鬆脫。



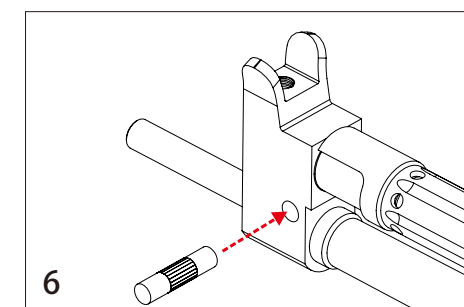
4-2



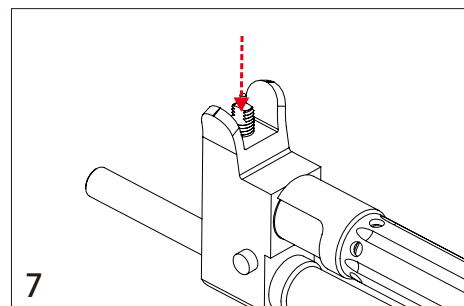
5. Replace the gas block and fix it with screw.
換上準星座，需注意瓦斯導管需對正，鎖上止付固定位置。



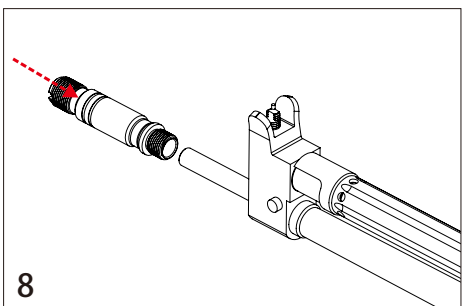
5-2



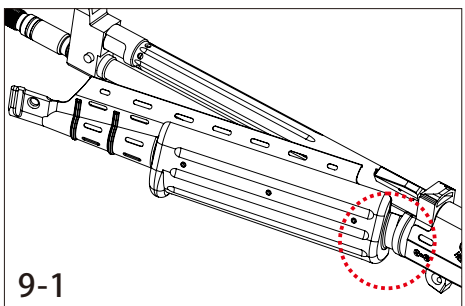
6. Replace the gas block pin.
將準星座插梢敲回以固定準星座。



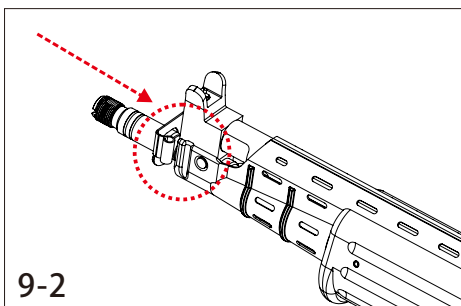
7. Replace the front sight.
裝回準星。



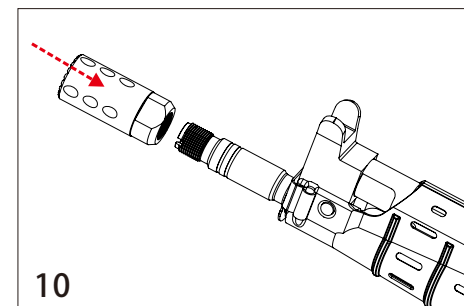
8. Replace the front barrel.
裝上槍管前段。



9. Replace the handguard, first fix it on the handguard nut, then press the handguard to clamp on the handguard spring.
裝回護木，請先將護木後端卡入護木箍內，然後壓緊護木並蓋上護木卡榫卡緊護木。

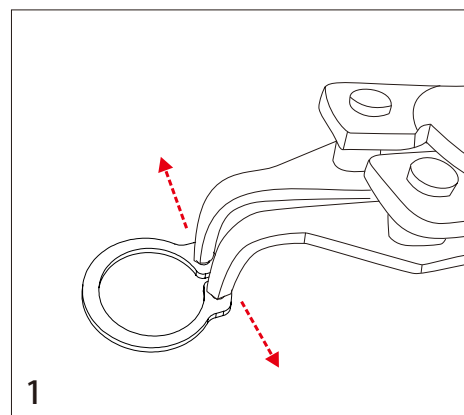


9-2

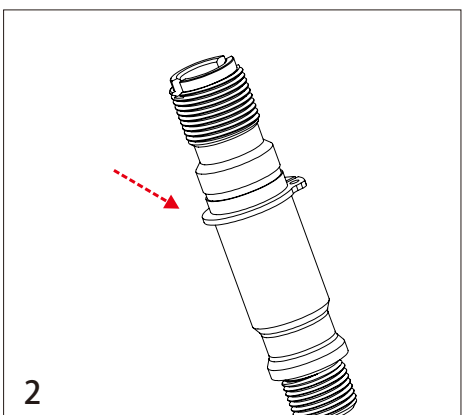


10. Install the flash hider.
安裝套件防火帽。

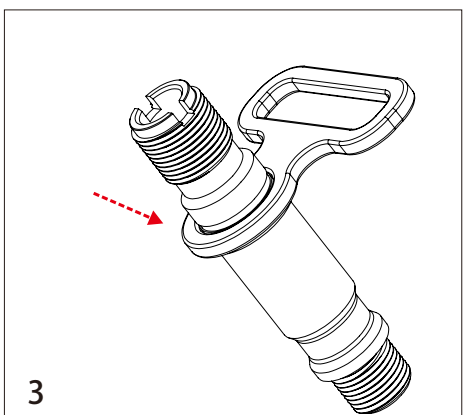
背帶環安裝 / Sling Mount Ring Install



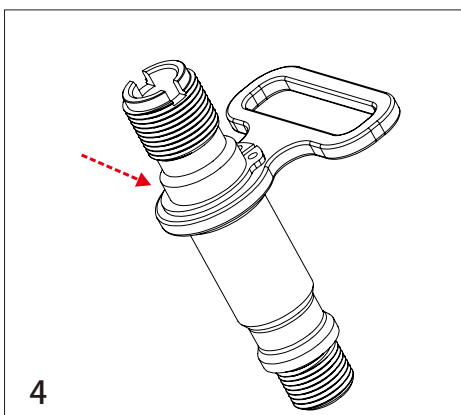
1. Use the retaining ring pliers to spread open the C buckle.
使用撐開鉗將C型扣環撐開，若沒有撐開鉗建議請店家協助。



2. Place C buckle into the groove.
將C型扣環安裝至如圖位置卡好。



3. Install the sling mount ring.
裝入背帶環。



4. Use the retaining ring pliers to install the second C buckle.
同樣使用撐開鉗將第二枚C型扣環裝至定位，完成。



VegaForce Company
<http://www.vegaforce.com>

For Airsoft use only.
Made in Taiwan