

ADDITIONAL INSTRUCTIONS

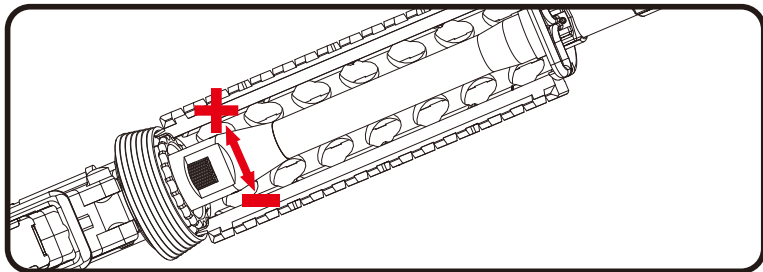
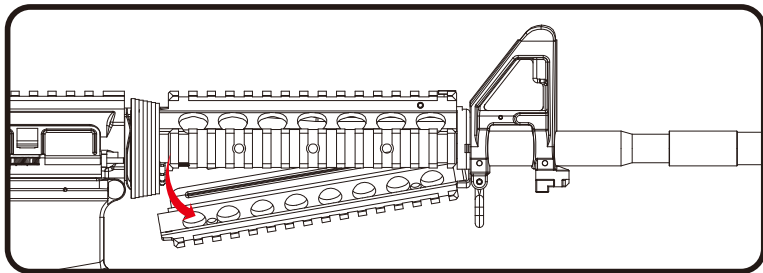
VARIABLE HOP-UP SYSTEM

附加說明HOP-UP調整系統

FOR M4/AR SERIES

1 M4 RIS HOP-UP Adjustment

M4 RIS HOP-UP 系統調整



2

GuideHOP

Save time, Convenient and Fast

M4/AR Series GBBR uses our new patented "GuideHOP" HOP-UP adjust system.

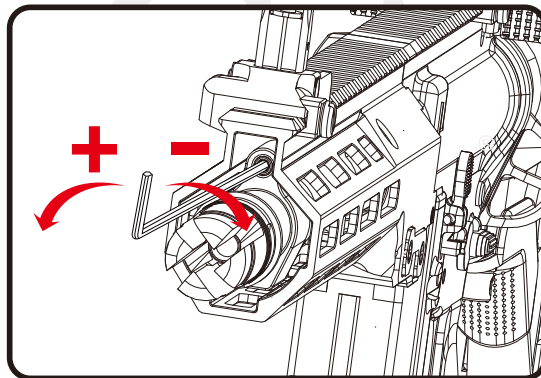
There is no need to disassemble the handguard or upper and lower receiver when you need adjust your HOP-UP.

All you only need a 3mm hex wrench to adjust HOP-UP at gas block.

You can adjust HOP-UP in anytime, anywhere, quickly and easily, without any disassembly.

省時、方便、快速

M4/AR 系列瓦斯槍採用VFC最新專利的"GuideHOP" 彈道調整設計。無需分解槍支，只需要使用3mm六角扳手即可在瓦斯鋼管座處進行彈道調整。您可以隨時隨地、快速方便的調整，無需任何拆解，大大減少因拆解所造成的不便與毀損。



This HOP-UP system is adjusted by 3mm hex wrench.

請使用3mm六角扳手調整HOP-UP。

