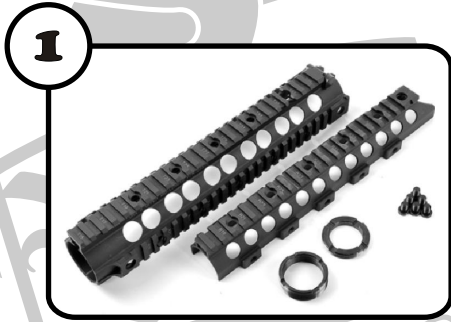
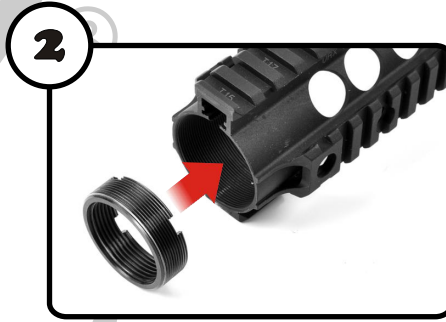


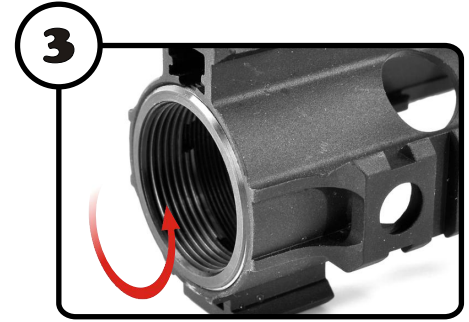
# URX Type Tactical Handguard Instruction Manual



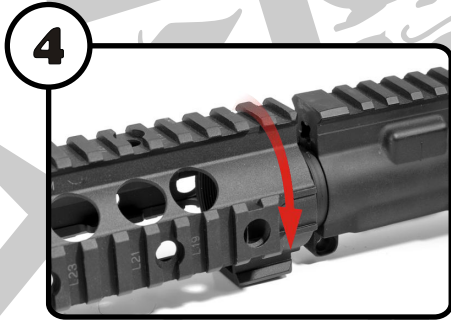
Check the URX components.



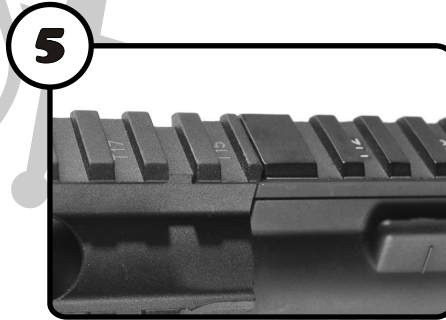
Install the rail nut.



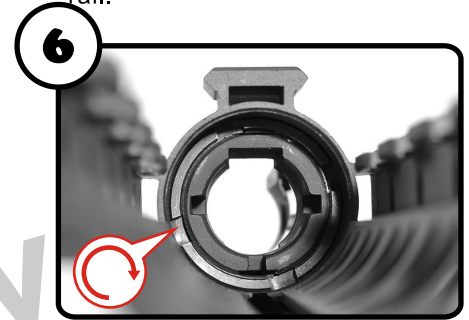
Pre-assemble barrel nut in upper rail.



Rotate URX upper rail revolution clockwise.



Keep the upper and the URX aligned.



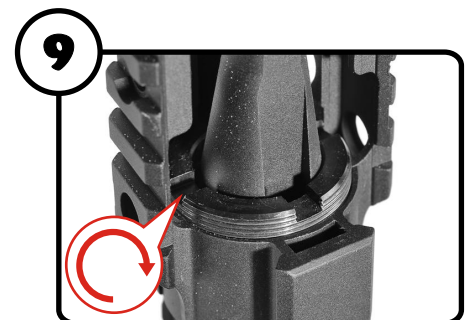
Tighten the rail nut.



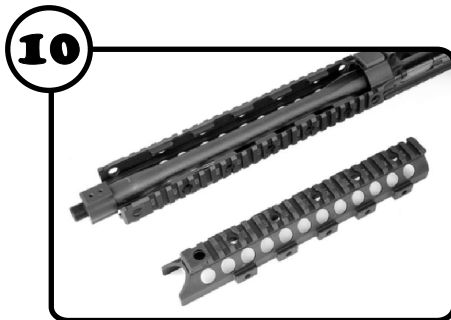
Pre-assemble the barrel nut.



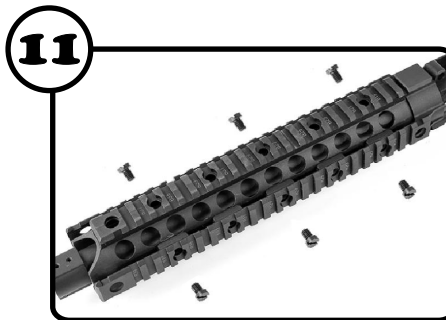
Install the barrel.



Tighten the barrel nut.



Install the barrel.



Install the screws.

**Finish!**



## NOTE:

For easy assembly you might need an URX Vice Jaw and an URX barrel nut wrench which is produced by the original manufacturer.



**VegaForce Company**  
<http://www.gb-tech.com.tw>